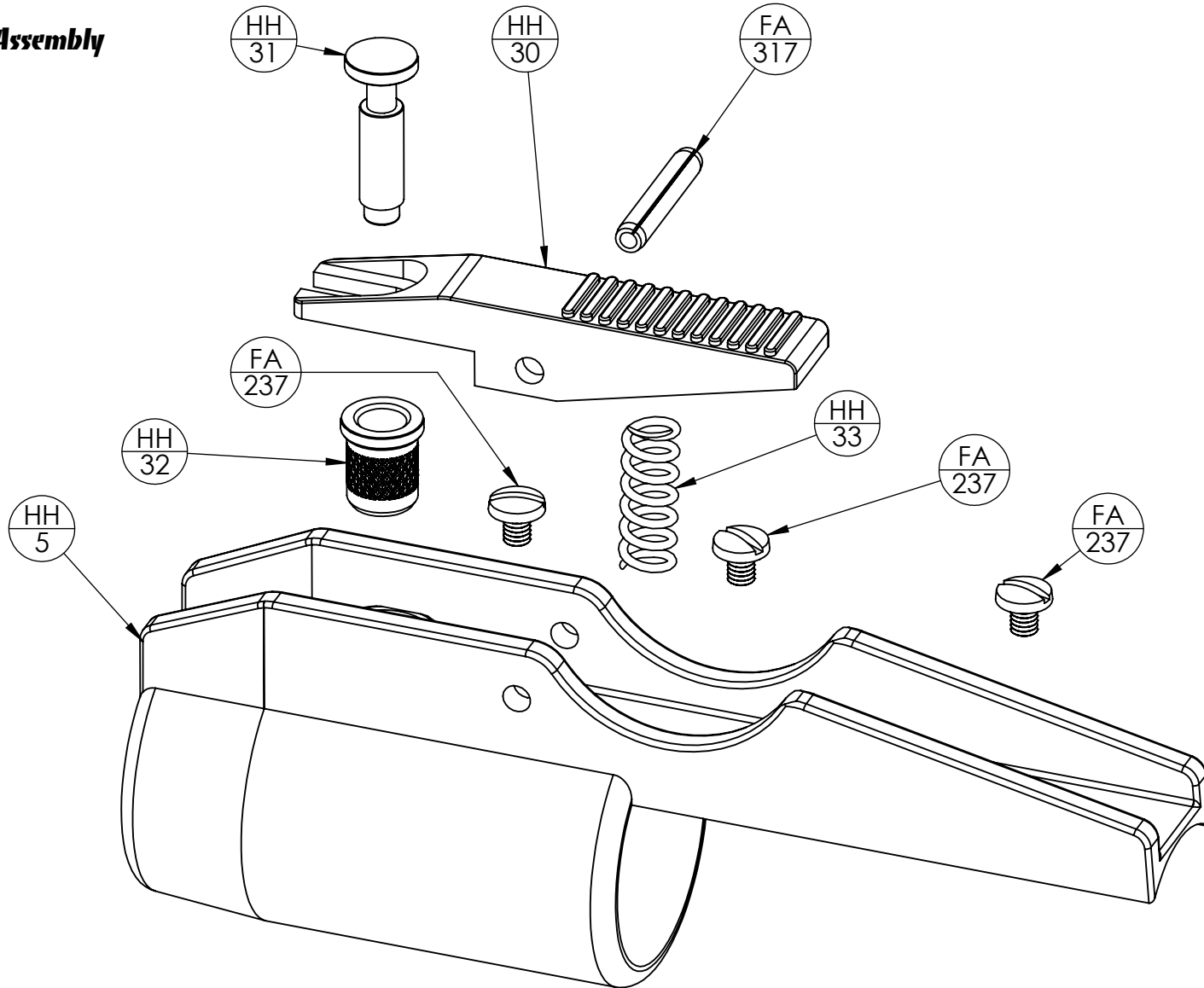


**Columbia Taping Tools**  
**Hydra Reach**  
**Extension Housing Assembly**



**Need Assistance?**

**1.800.663.8121**  
**[www.columbiafools.com](http://www.columbiafools.com)**

**January 2014**