

ITEM	QTY.	PART NO.	DESCRIPTION
1	1	AH-1-2.5	2.5" BODY
2	1	AH-2	BALL LOCK RECEIVER
3	1	AH-5	BALL LOCK SPRING
4	1	AH-6	BALL SOCKET INSERT
5	1	AH-7	6-32x3/16 LG HEX HEAD CUSTOM SCREW
6	1	AH-8	REAR BULLET ASSY
7	1	AH-9	FRONT CLIP
8	2	AH-10	FRAME STOP
9	1	AH-11-LH	PIN-ARM LOCK-LEFT HAND
10	1	AH-11-RH	PIN-ARM LOCK-RIGHT HAND
11	1	AH-21	LEAF SPRING
12	2	AH-24	2.5" BLADE
13	1	AH-26-LH	FRAME ASSY-LEFT HAND
14	1	AH-26-RH	FRAME ASSY-RIGHT HAND
15	2	AH-35	SKID BLADE
16	4	SHW-011	3L3-F NYLINER
17	2	SHW-016	6-32x1/4 LG HEX SOCKET CAP SCREW
18	2	SHW-038	6-32 THIN NYLOCK
19	2	SHW-057	8-32x1/4 LG HEX SET SCREW
20	16	SHW-098	6-32x1/8 LG HEX SET SCREW
21	2	SHW-099	4-40x3/16 LG HEX SOCKET CAP SCREW
22	1	SHW-097	6-32x1/2"L SLOT PAN HEAD SCREW

DESIGNED: MM/RD DATE (YYYY MM DD) 2002.12.12 CHECKED: MM DATE (YYYY MM DD) 2002.12.12 APPROVED: MM DATE (YYYY MM DD) 2002.12.12

UNLESS OTHERWISE SPECIFIED: TITLE 2.5" ANGLE HEAD ASSY.

DIMENSIONS ARE IN INCHES

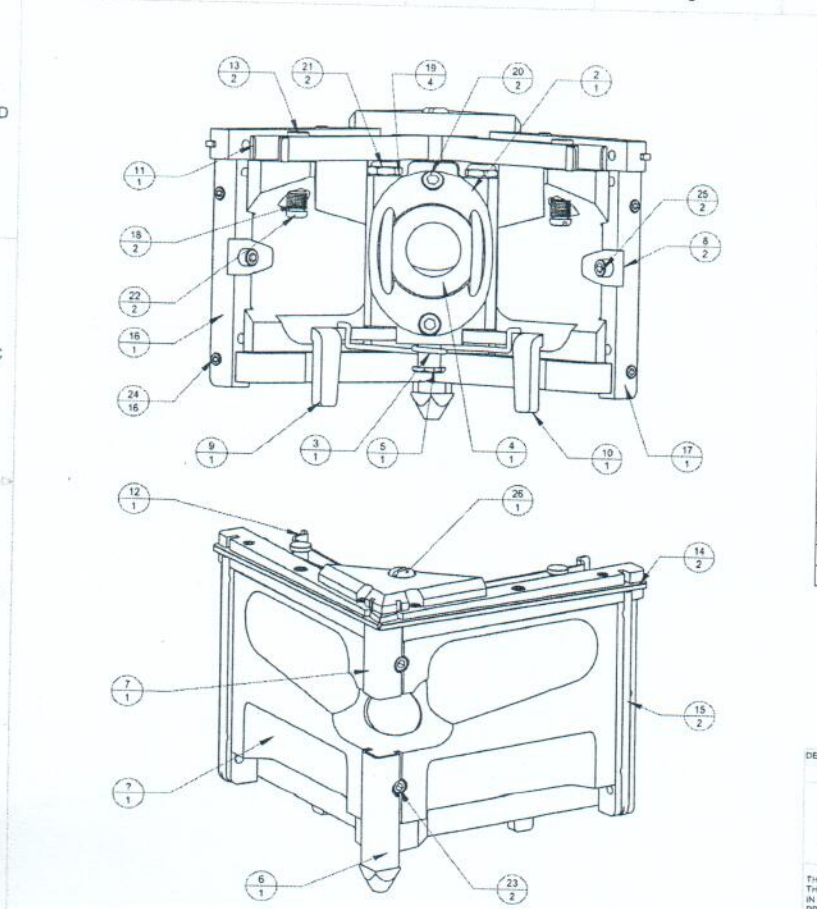
TOLERANCES: FRACTIONAL: ±1/64 ANGULAR: ±0.1° TWO PLACE DECIMAL: ±0.01 THREE PLACE DECIMAL: ±0.005

MATERIAL: N/A FINISH: N/A

DWG. NO. NS016 REV A

SCALE: 1:1 SIZE: B UNITS: IN SHEET 1 OF 1

REV.	DESCRIPTION	DATE	BY	APPR.
8				
7				
6				
5				
4				
3				
2				
1				



ITEM	QTY.	PART NO.	DESCRIPTION
1	1	AH-1-3.5	3.5" BODY
2	1	AH-2	BALL LOCK RECEIVER
3	1	AH-5	BALL LOCK SPRING
4	1	AH-6	BALL SOCKET INSERT
5	1	AH-7	6-32x3/16 LG HEX HEAD CUSTOM SCREW
6	1	AH-8	REAR BULLET ASSY
7	1	AH-9	FRONT CLIP
8	2	AH-10	FRAME STOP
9	1	AH-11-LH	PIN-ARM LOCK-LEFT HAND
10	1	AH-11-RH	PIN-ARM LOCK-RIGHT HAND
11	1	AH-31	INSIDE LEAF SPRING
12	1	AH-32	UPPER LEAF SPRING
13	2	AH-33	SPRING ADJUSTMENT PIN
14	2	AH-34	3.5" BLADE
15	2	AH-35	SKID BLADE
16	1	AH-36-LH	FRAME ASSY-LEFT HAND
17	1	AH-36-RH	FRAME ASSY-RIGHT HAND
18	2	AH-37	PIN SPRING
19	4	SHW-011	3L3-F NYLINER
20	2	SHW-016	6-32x1/4 LG HEX SOCKET CAP SCREW
21	2	SHW-038	6-32 THIN NYLOCK
22	2	SHW-052	4-40x1/8 LG SLOT PAN HEAD SCREW
23	2	SHW-057	8-32x1/4 LG HEX SET SCREW
24	16	SHW-098	6-32x1/8 LG HEX SET SCREW
25	2	SHW-099	4-40x3/16 LG HEX SOCKET CAP SCREW
26	1	SHW-097	6-32x1/2"L SLOT PAN HEAD SCREW

DESIGNED: MM/RD DATE (YYYY MM DD) 2002.11.08 CHECKED: MM DATE (YYYY MM DD) 2002.11.08 APPROVED: MM DATE (YYYY MM DD) 2002.11.08

UNLESS OTHERWISE SPECIFIED: TITLE 3.5" ANGLE HEAD ASSY

DIMENSIONS ARE IN INCHES

TOLERANCES: FRACTIONAL: ±1/64 ANGULAR: ±0.1° TWO PLACE DECIMAL: ±0.01 THREE PLACE DECIMAL: ±0.005

MATERIAL: N/A FINISH: N/A

DWG. NO. NS017 REV A

NORTHSTAR TOOL CORPORATION PRODUCTS AND DESIGNS ARE PROTECTED BY VARIOUS PATENTS AND PATENTS PENDING.