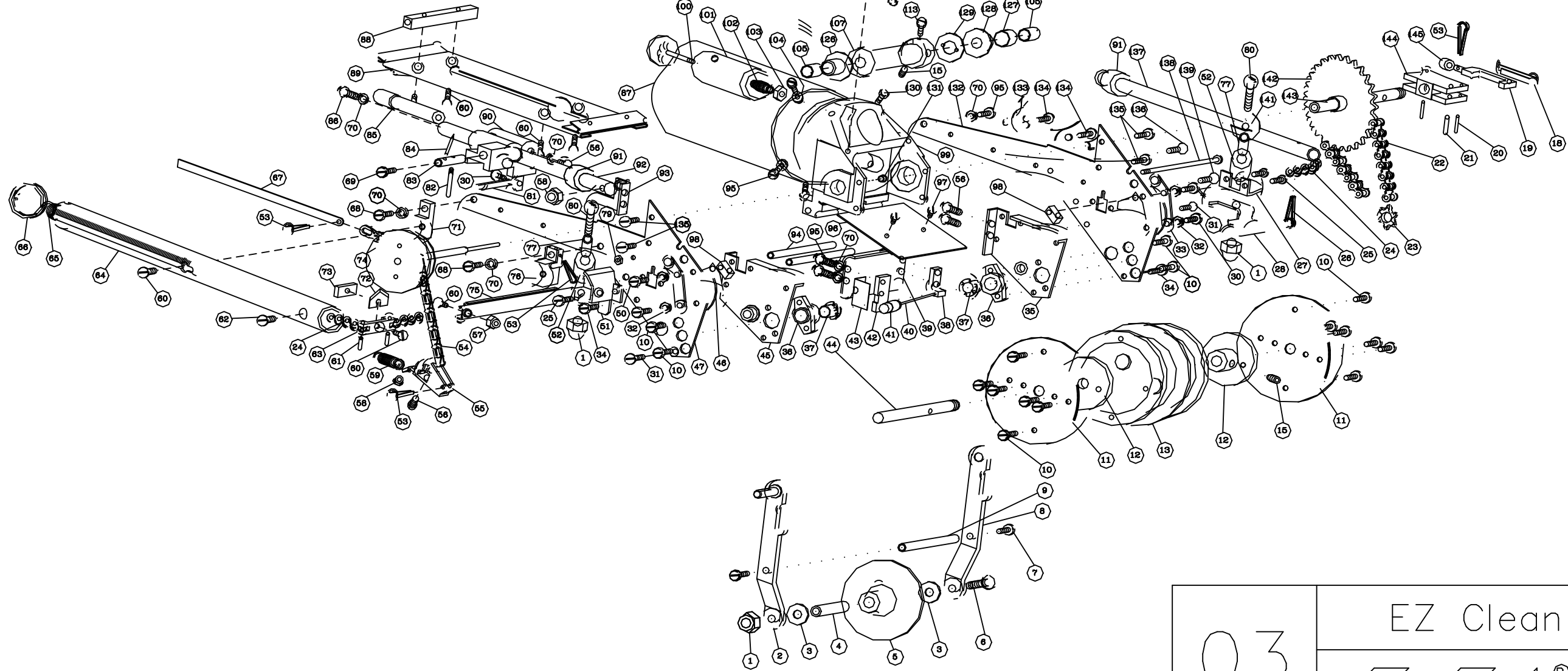
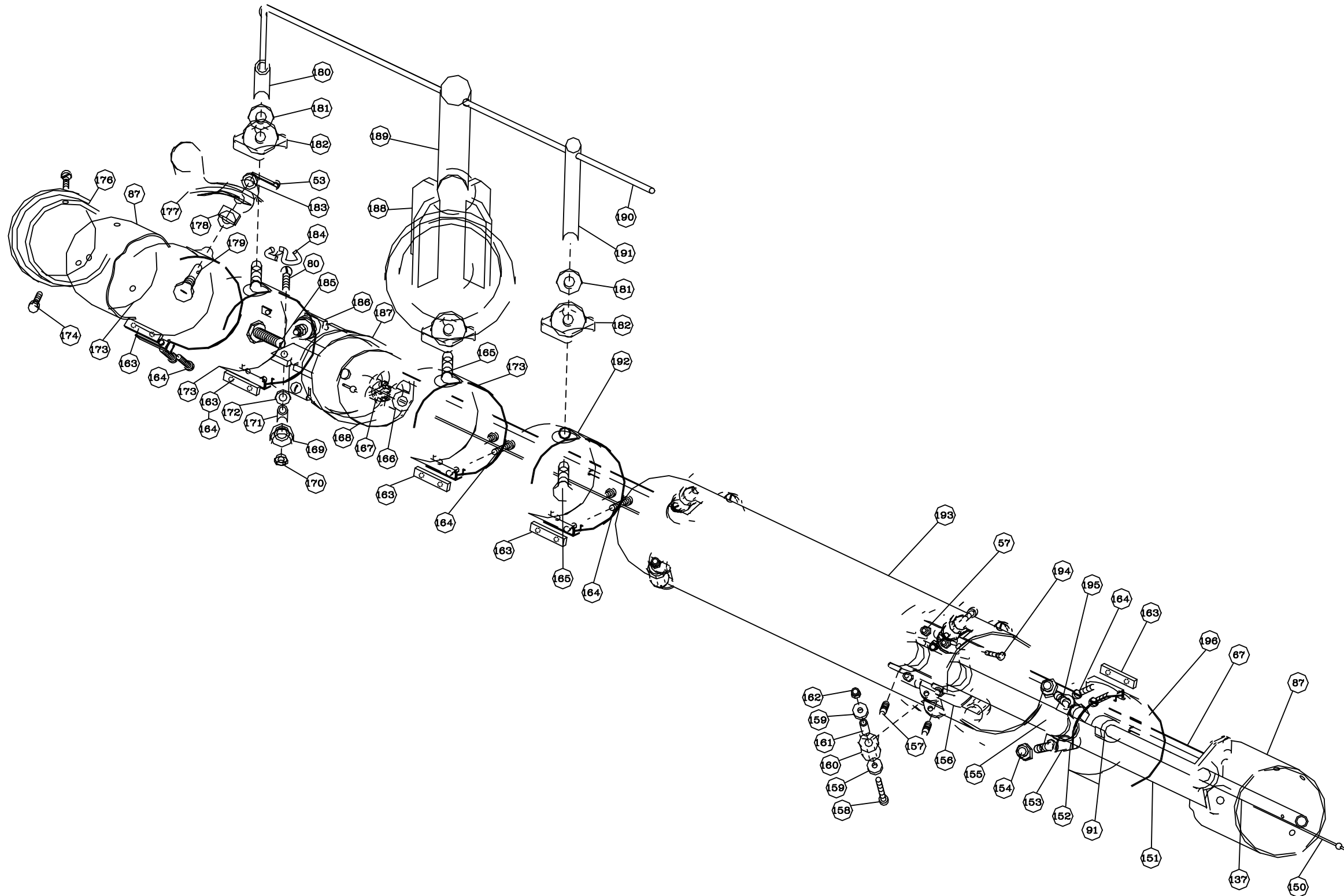




See Exploded View For Details Of Assembly



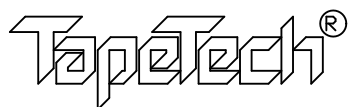

03	EZ Clean Mini Taper	
		an enterprise
	REV	B



03	EZ Clean Mini Taper	
	 an  enterprise	REV B

REVISIONS				
ECN	REV	DESCRIPTION	DATE	BY
1027	A	RELEASED	03/00	HM
1079	B	042051 WAS 041051 (ITEM 112)	10/00	HM

Dwg No.	Part No.	Description	Qty	Dwg No.	Part No.	Description	Qty	Dwg No.	Part No.	Description	Qty	Dwg No.	Part No.	Description	Qty
001	059074	Stopnut, 8-32, Hex. Elast.	3	051	050046	Chain Roller Support	1	099	056100	Taper Head	1	150	054209	Cable Assy.	1
002	054095	Long Creaser Arm Assy.	1	052	050134	Chain Roller	2	100	050084	Valve	1	151	034219	Control Arm. Assy.	1
003	209042	Brass Washer	2	053	059143	Cotter Pin, 1/16 x 1/2 SST.	5	101	054059	Filler Body Assy.	1	152	059227	Special Nut	2
004	050070	Creaser Wheel Axle.	1	054	050145	Creaser Chain	1	102	059061	Valve Spring	1	153	050226	Guide Roller	2
005	050073	Creaser Wheel.	1	055	050079	Creaser Crank	1	103	059060	Stopnut, 3-48, Hex. Flex.	1	154	059225	Nut, 10-32, Elas. Thin Pat.	2
006	059092	Screw, 8-32 x 1 1/2 Rd. Hd. SST.	1	056	059013	Screw, 6-32 x 5/16 Rd. Hd. SST.	4	104	059164	Star Washer	5	155	050232	Control Extension Support	1
007	059020	Screw, 6-32 x 3/8 Bd. Hd. SST.	3	057	609012	Nut, 4-40, Hex. Flex. SST	5	105	059148	Bearing	2	156	050221	Bracket	1
008	054096	Short Creaser Arm Assy.	1	058	059018	Stopnut, 6-32, Thin Pat.	3	106	041054	Gasket	1	157	059220	Setscrew, 8-32 x 5/16 SST.	2
009	050023	Spacer Rod	1	059	050081	Creaser Return Spring	1	107	050083	Cable Drum	1	158	059210	Screw, 5-40 x 11/16, Rd. Hd. SST.	8
010	059057	Screw, 4-40 x 3/16 Bd. Hd. SST	18	060	059102	Screw, 4-40 x 1/4 Fl. Hd. SST.	9	108	059056	Screw, 2-56 x 3/16 Bd. Hd. SST.	4	159	059213	Washer	16
011	050093	Wheel	2	061	059129	Cutter Block Pin	2	109	049048	Retaining Ring, (3/16 Shaft, 0.147 Groove)	1	160	050215	Roller	8
012	050109	Wheel Hub	2	062	509010	Screw, 4-40 x 5/16 Fl. Hd. SST.	1	110	041055	Cover Plate Top	1	161	050214	Roller Bushing	8
013	050094	Wheel Spool	1	063	050135	Cutter Block	1	111	050001	Outlet Valve Handle	1	162	059212	Nut, 5-40, Hex. Flex. Loc.	8
014	041052	Bottom Plate	1	064	050063	Spring Cover	1	112	042051	Hold Down Screw	1	163	050212	Lock Block	5
015	059084	Setscrew, 8-32 x 1/4 SST.	3	065	050132	Cutter Return Spring	1	113	059014	Screw, 4-40 x 3/16 Truss Hd. SST.	1	164	059230	Screw, 5-40 x 13/32 Bd. Hd. SST.	10
016	044080	Enclosure Assy. (041080, 041050)	1	066	059067	Key Ring	1	114	050019	Disengaging Cam	1	165	059238	Screw, 1/4-20 x 1/2 Fl. Hd.	3
017	041050	1/4-20 Threaded Insert. Repair Only	0	067	030249	Creaser Connector	1	115	050017	Collar Bushing	1	166	059206	Nut, 1/4-20, Heavy Hex. SST.	1
018	050115	Drive Dog Spring	1	068	059091	Screw, 6-32 x 1/2, Fil. Hd. SST.	2	116	050041	Disengaging Rod Bearing	1	167	059201	Nut, 1/4-20, Hex. Slotted	1
019	050116	Drive Dog	1	069	059051	Screw, 6-32 x 3/16, Fil. Hd. SST.	1	117	059040	O' Ring	1	168	050204	Cup Washer	1
020	059119	Pin	2	070	059016	Lockwasher	9	118	050039	O' Ring Housing	1	169	050259	Roller	4
021	059120	Drive Dog Axle	1	071	050072	Rear Support	1	119	040036	Bracket Base	1	170	059260	Nut, 8-32, Hex. SST.	4
022	058126	Drive Chain	1	072	050133	Blade	1	120				171	050257	Bearing	4
023	050125	Drive Sprocket	1	073	050137	Clamp	1	121	050034	Disengaging Rod	1	172	059207	Washer	4
024	050142	Cutter Chain	2	074	054032	Push Rod Assy.	1	122	059005	Nut, 4-40, Hex. SST.	2	173	050254	Band	3
025	059161	Screw, 4-40 x 3/8 Fil. Hd. SST.	4	075	050113	Cutter Block Tube	1	123	050004	Wiper Retainer	1	174	059252	Screw, 6-32 x 3/16, Rd. Hd. SST.	3
026	059025	Cotter Pin, 5/64 x 1/2 SST.	1	076	050071	Front Support	1	124	050003	Control Valve Wiper	1	175			
027	050141	Chain Roller Support	1	077	050128	Chain Roller Bushing	2	125	050058	Control Valve	1	176	050251	Tube Protector	1
028	050163	Drive Chain Guide	1	078	049049	O' Ring	1	126	050086	Head Bushing	1	177	054245	Trigger Assy.	1
029				079	059087	Miniature Nut, 3-48, Hex. SST.	1	127	059149	Tinite Bearing	1	177	051262	Trigger Bushing, Repair Only	0
030	059037	Screw, 4-40 x 1/4 Bd. Hd. SST.	9	080	059127	Screw, 8-32 x 5/8, Truss Hd. SST.	6	128	050099	Head Bushing	1	178	050242	Special Nut, Hex. 1/4-20	1
031	059106	Screw, 4-40 x 1/8 Fl. Hd. SST.	2	081	059022	Needle Spring	2	129	059082	Drum Washer	1	179	050243	Stub Shaft	1
032	059038	Lockwasher	7	082	050027	Needle Holder Lock	1	130	059085	Screw, 8-32 x 1/4 Fil Hd. SST.	1	180	050240	Socket	1
033	050154	Bearing Bracket	2	083	050050	Needle Holder	1	131	059153	Special Nut 4-40 Repair Only	0	181	059224	Washer	2
034	209048	Screw, 4-40 x 1/8 Bd. Hd. SST.	2	084	059049	Needle	1	132	050105	Side Plate	1	182	050233	Adaptor	3
035	054104	Tape Runner Assy.	1	085	050030	Magnet	1	133	050123	Cam	1	183	809006	Trigger Washer	1
036	050150	Hub	2	086	059012	Screw, 6-32 x 3/8, Fil. Hd. SST.	1	134	059122	Screw, Self Tap, 6 x 5/16 Bd. Hd.	2	184	709043	S' Hook	1
037	059078	Bearing Nylon	2	087	038248A	Taper Tube	1	134	059117	Screw, Self Tap, Repair only	0	185	050205	Cup Bolt	1
038	050009	Spring Anchor	1	088	050090	Spacer Bar	1	135	059021	Screw, 4-40 x 5/32 Bd. Hd. SST.	4	186	050200	Plastic Piston	1
039	050011	Drip Guard	1	089	054101	Tape Guide Assy.	1	136	059107	Screw, 6-32 x 1/4 Fl.Hd. SST.	1	187	050203	Cup	1
040	059010	Spring	1	090	054028	Gooser Assy.	1	137	050144	Cutter Chain Link Tube	1	188	050244	Spool	1
041	054007	Locking Roller Assy.	1	090	050031	Gooser Bushing	0	138	050140	Tie Rod, 3-48, Special.	1	189	050237	Spool Shaft	1
042	050043	Anvil	1	090	059014	Screw, 4-40 x 3/16 Truss Hd. SST.	0	139	059029	Screw, 6-32 x 5/8 Fl. Hd. SST.	1	190	038241	Tape Roll Keeper	1
043	059044	Insert	1	091	050068	Gooser & Cutter Chain Stop	2	140				191	050231	Post	1
044	050110	Drive Shaft	1	092	054111	Gooser Guide	1	141	059024	Chain Keeper	1	192	050235	Band	1
045	054075	Tape Runner	1	093	050053	Cam Gooser Release	1	142	054114	Sprocket	1	193	038222B	Control Tube	1
046	059098	Shim	2	094	050152	Spacer Rod	2	143	052121	Shaft	1	194	059217	Screw, 4-40 x 3/8 Bd. Hd. SST.	8
047	050089	Side Plate	1	095	059015	Screw, 6-32 x 1/4 Fil. Hd. SST.	10	144	050118	Drive Dog Holder	1	195	059228	Guide Roller Axle, 10-32 x 1 SST.	2
048				096	054048	Baffle Plate Assy.	1	145	059108	Drive Dog Roller	1	196	050229	Band	1
049	041053	Gland	1	097	059047	Screw, 2-56 x 1/8 Bd. Hd. SST.	2	146				197	123405	Label	1
050	059156	Screw, 4-40 x 5/16 Bd. Hd. SST.	7	098	050080	Screw Block	2	147							

BY	HM	DATE	EZ Clean Mini Taper		
CHKD	MWJ	10/00	 an  enterprise		
APPVD					
ALL DIMENSIONS IN INCHES UNLESS OTHERWISE NOTED			SIZE	SCALE	DWG NO.
TOLERANCES UNLESS NOTED XX ± 0.010 XXX ± 0.005 ANGLES ± 1/2°			B		03 TT
MATERIAL			ASSEMBLY REF. NO.		REV B
			SHEET		1 of 3