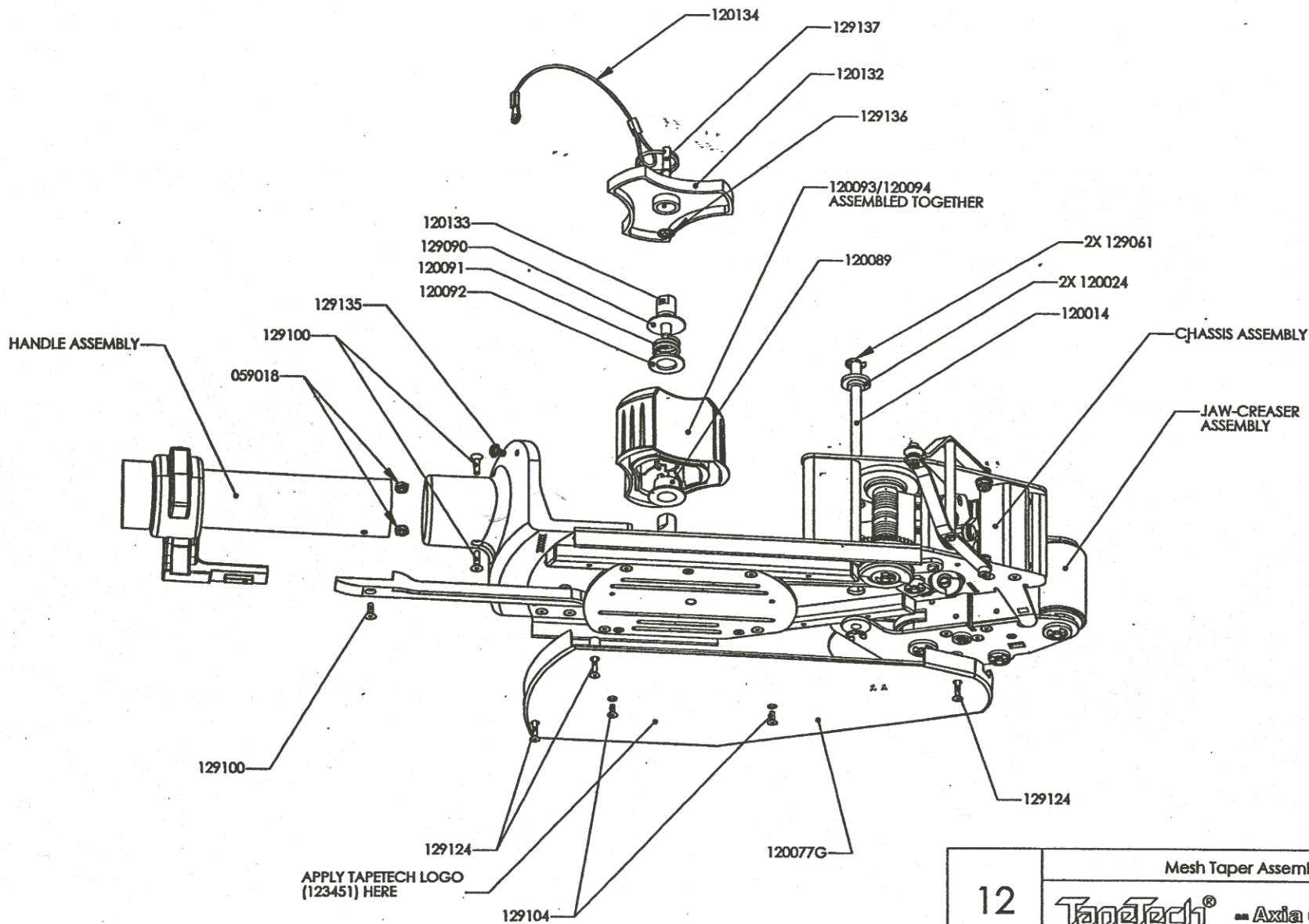

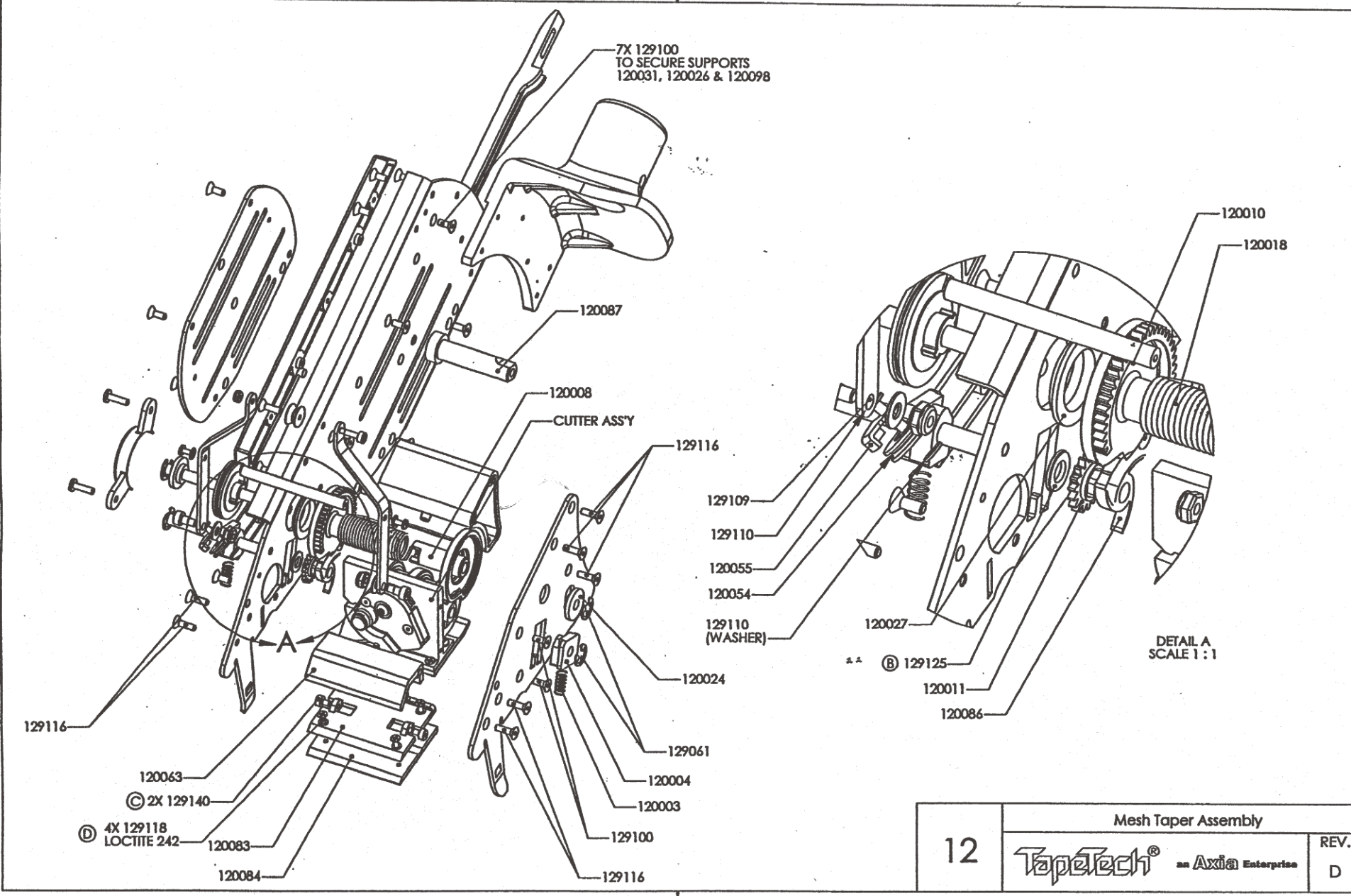



DETAIL C  
SCALE 1 : 2

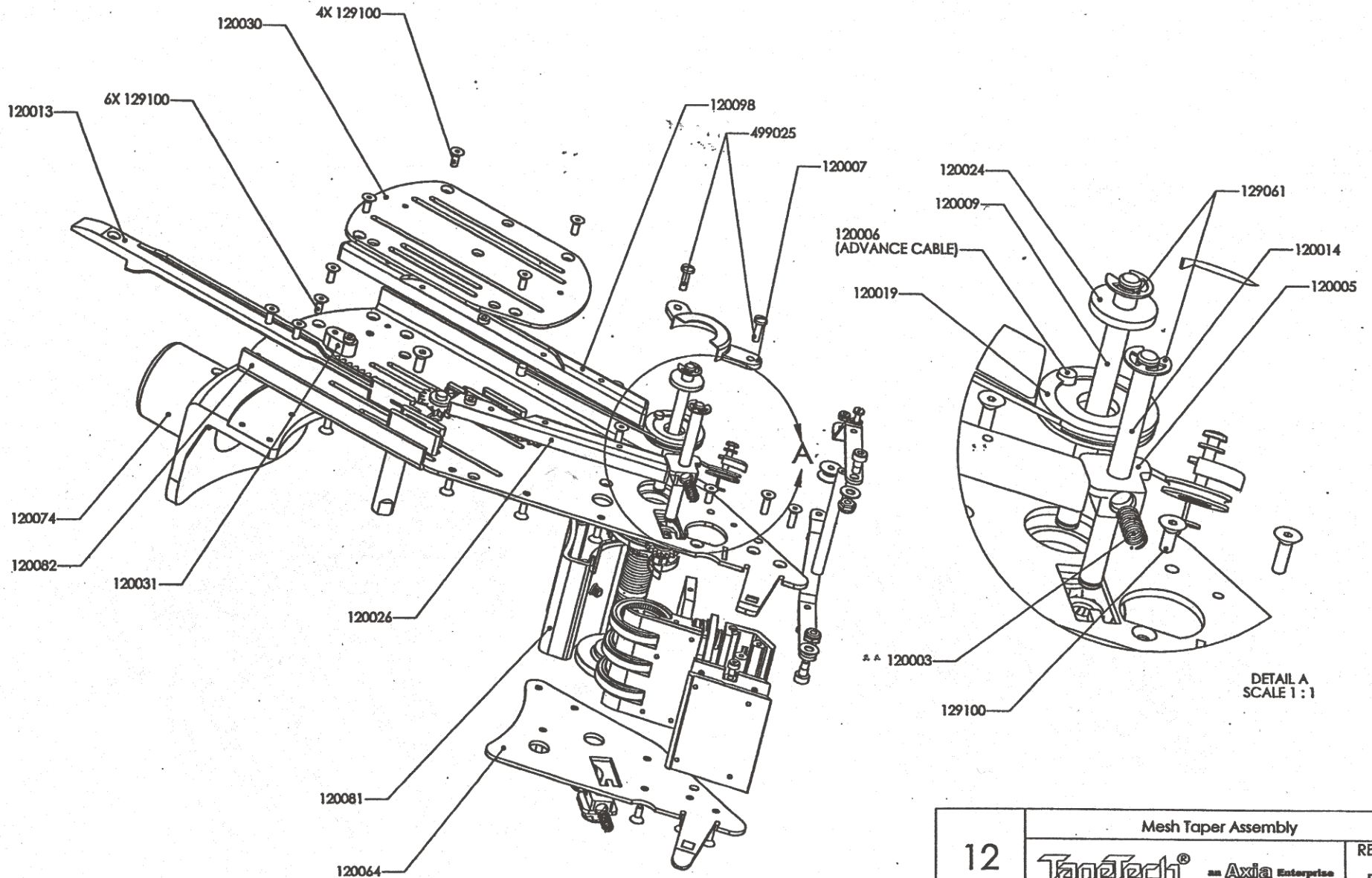
12	Mesh Taper Assembly	REV.
	<b>Tapetech</b> ® an Axia Enterprise	D




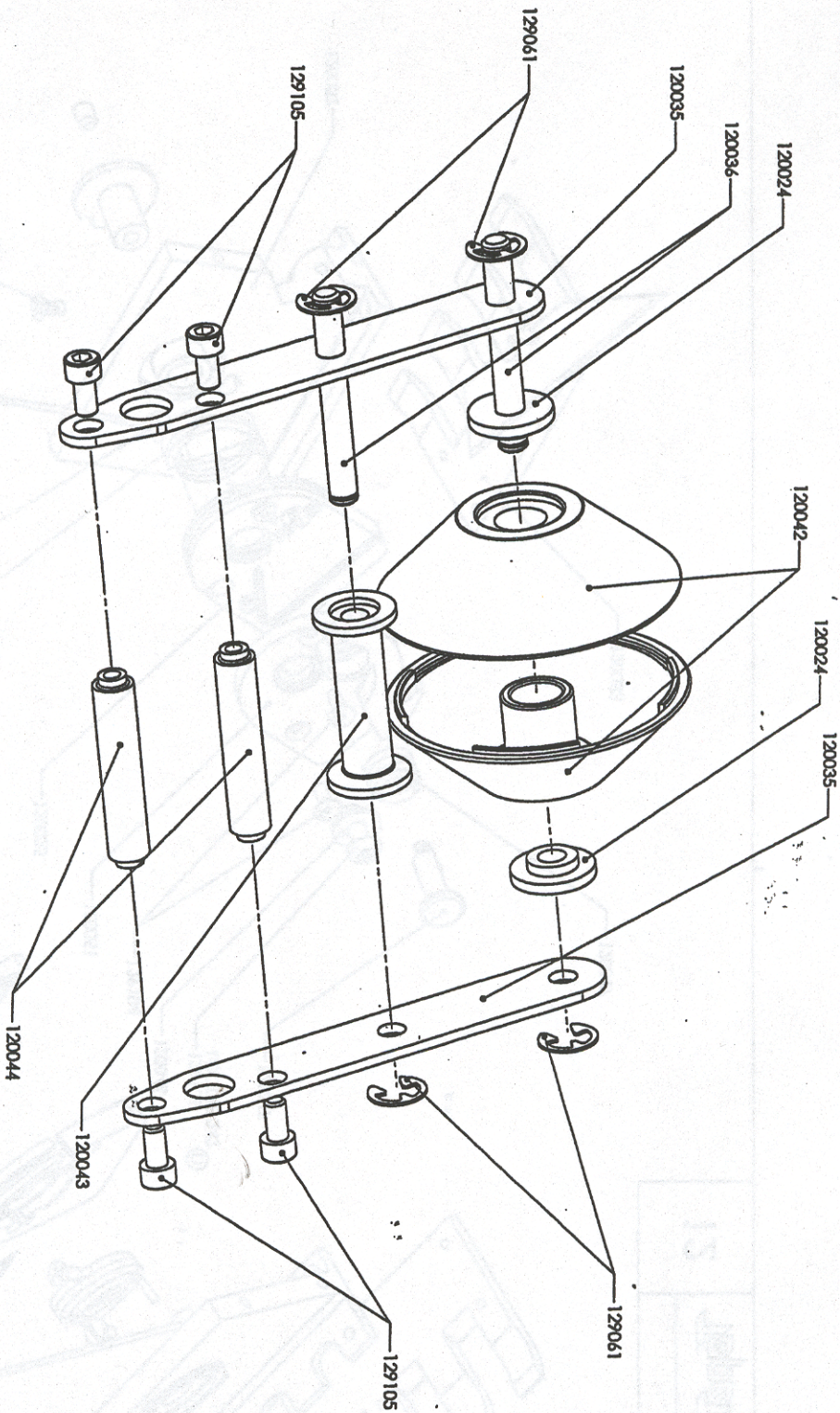
12	Mesh Taper Assembly		REV.
	 an Axia Enterprise		D



12	Mesh Taper Assembly	
	 an Axia Enterprise	
	REV.	D



12	Mesh Taper Assembly	REV.
	 an Axia Enterprise	D



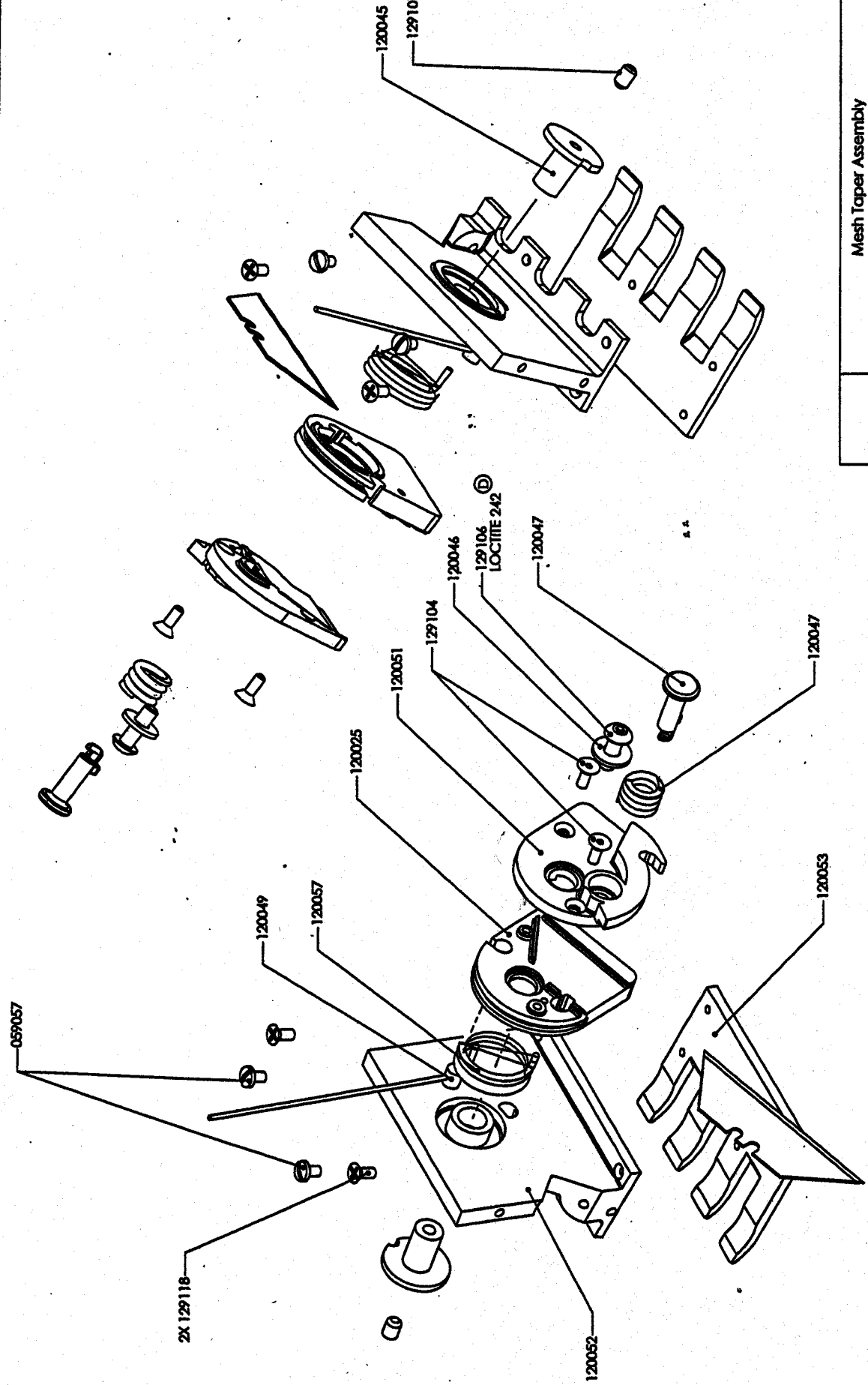
12

Mesh Taper Assembly

**Topotec®**  
an Axtila Enterprise

REV.

D

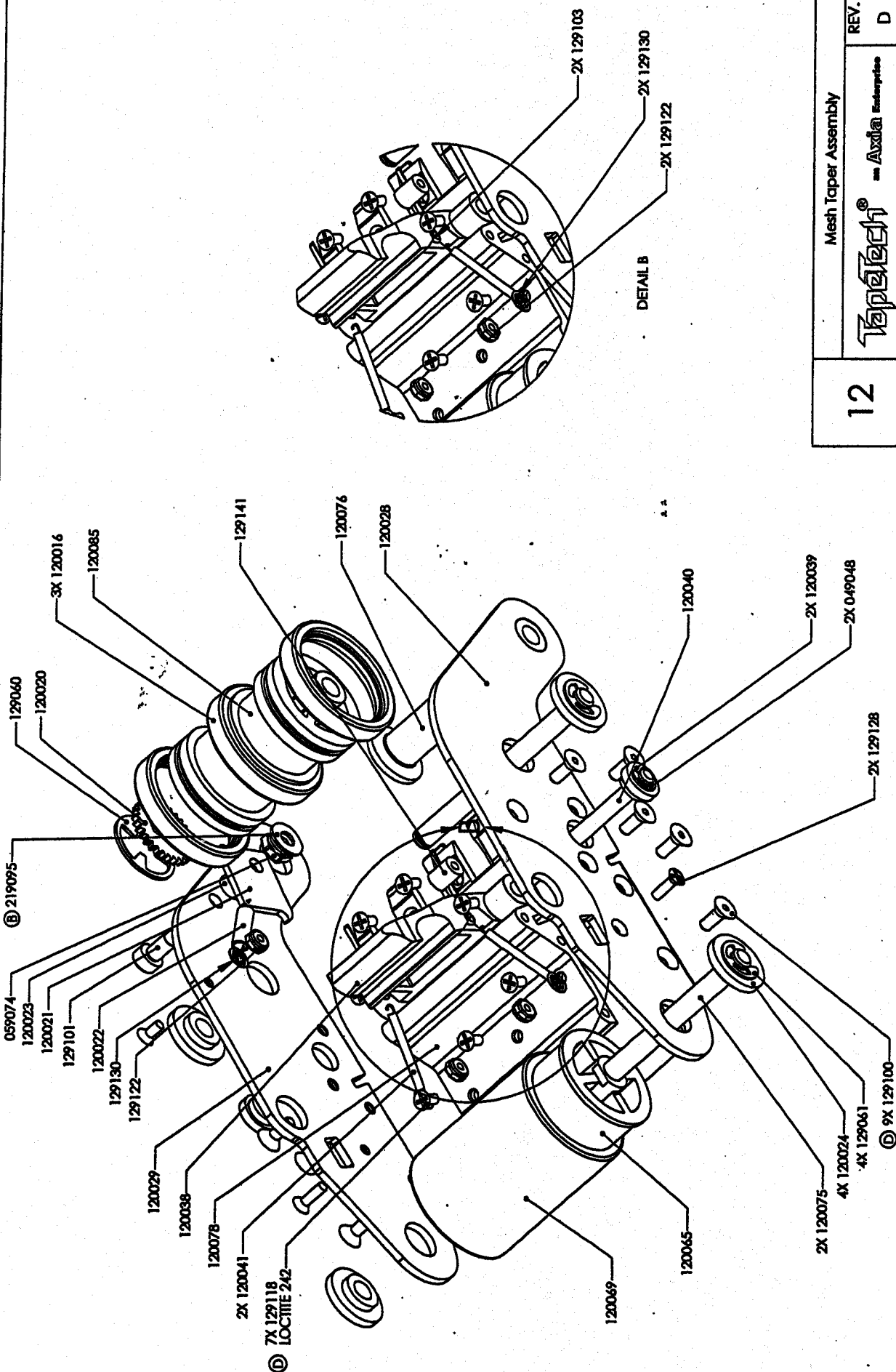


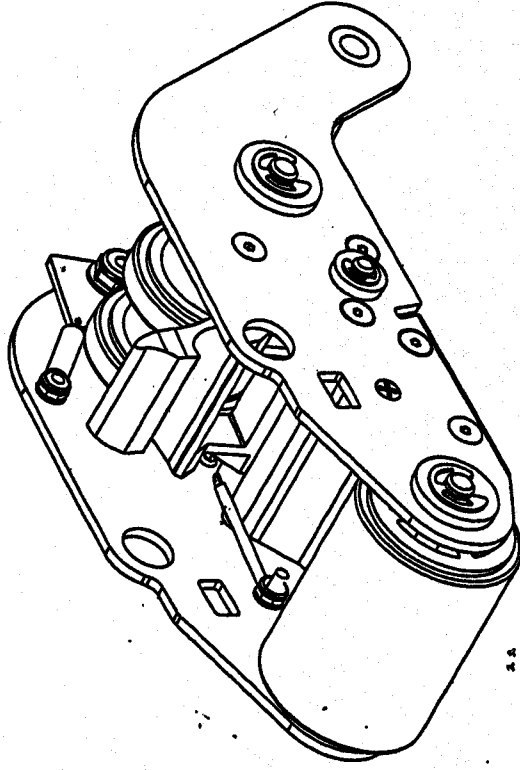
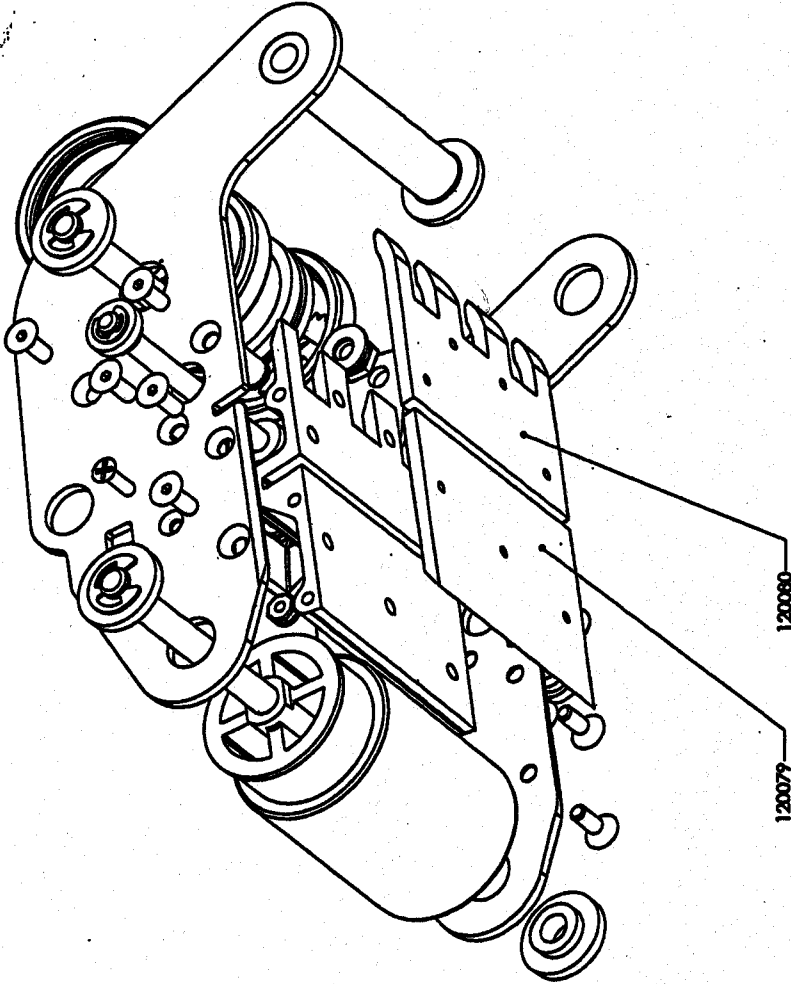
Mesh Taper Assembly

REV. D

**Tapatech** — Axial Enterprises

12





12

Mesh Taper Assembly

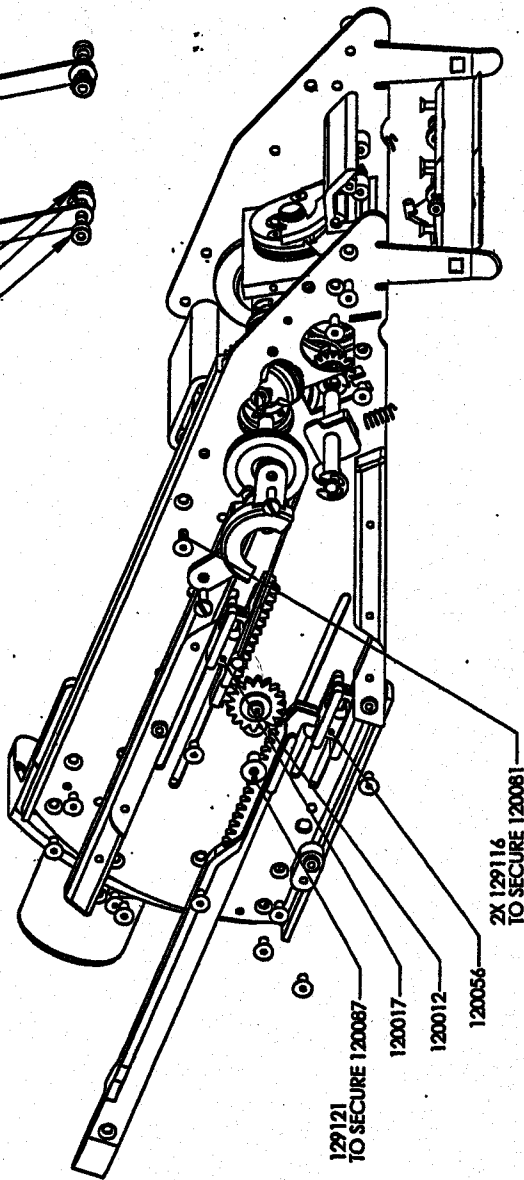
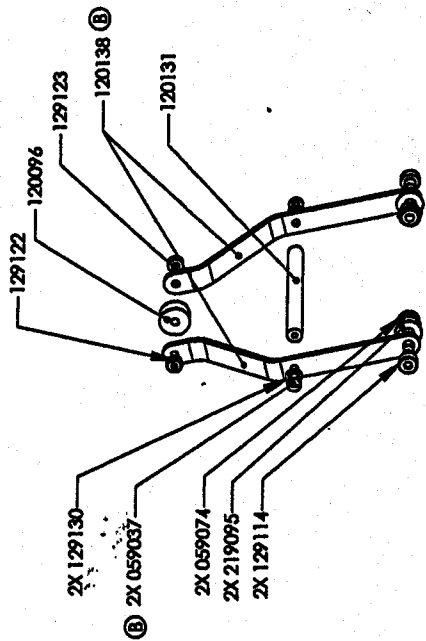
Tapatech® - Axida Enterprises

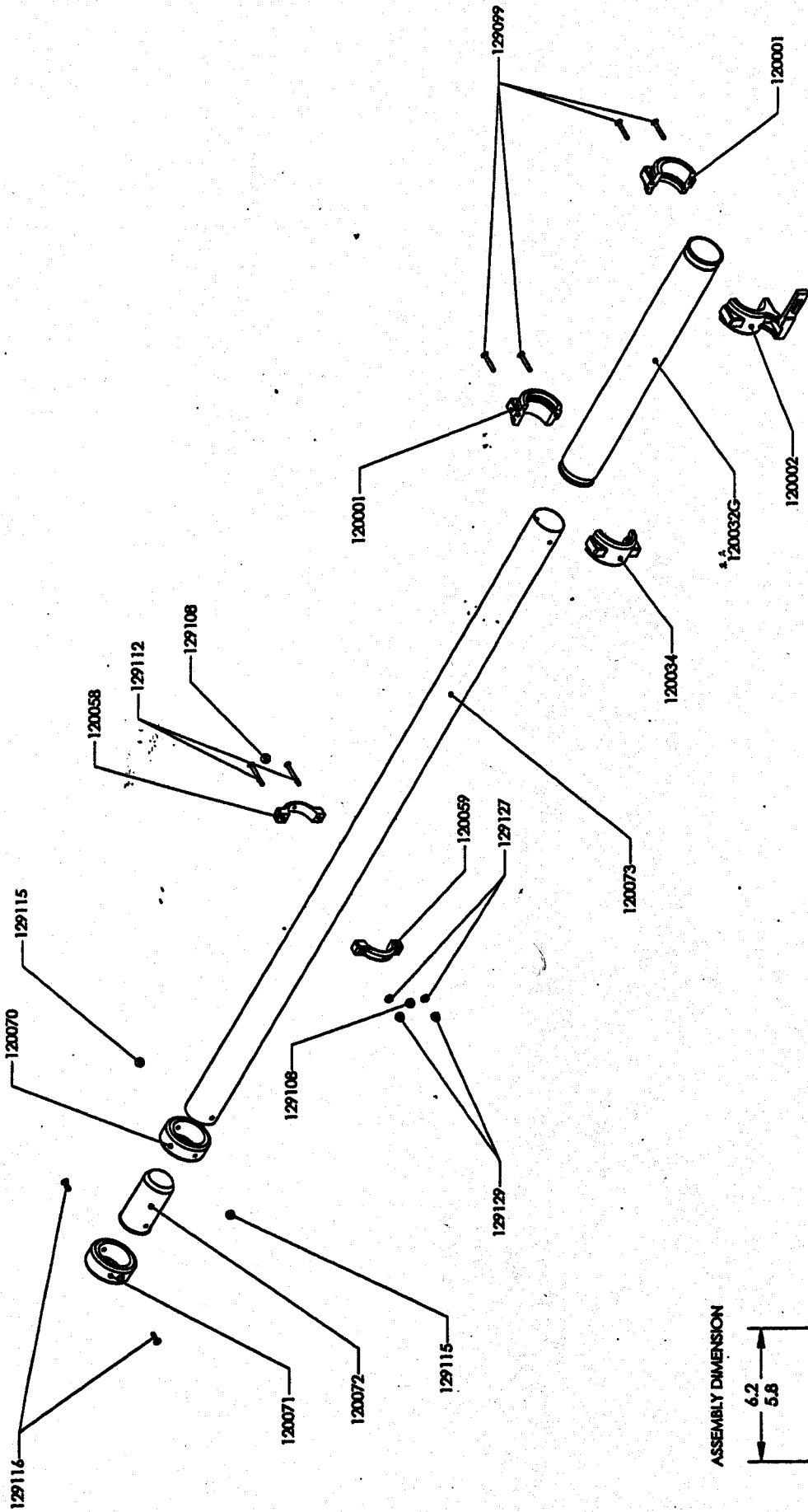
REV.

D



- NOTES:
1. 120030 HIDDEN FOR CLARITY.
  2. CUTTER CABLE (120049) NOT PICTURED FOR CLARITY. CABLE TO BE THREADED AROUND 120054 AND SECURED WITH 120055. CUTTER CABLE ATTACHES TO 120056.





ASSEMBLY DIMENSION

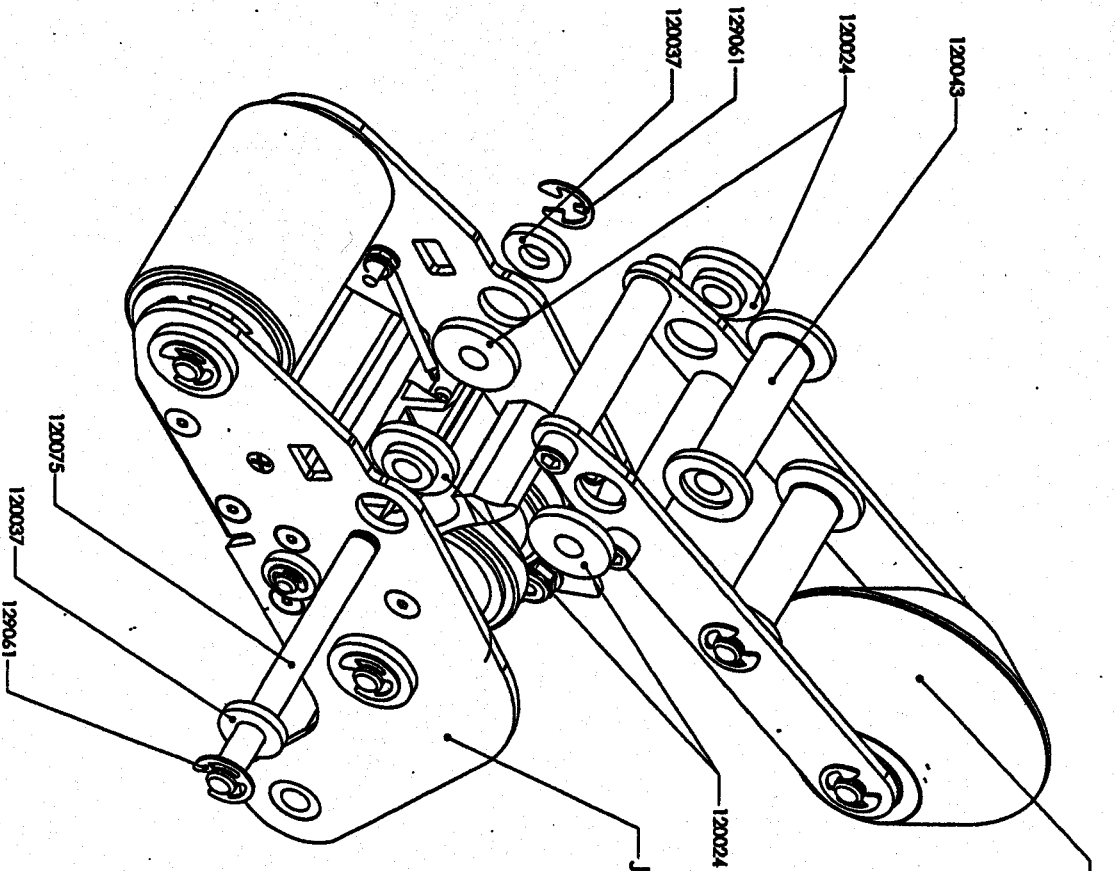


Mesh Taper Assembly

12

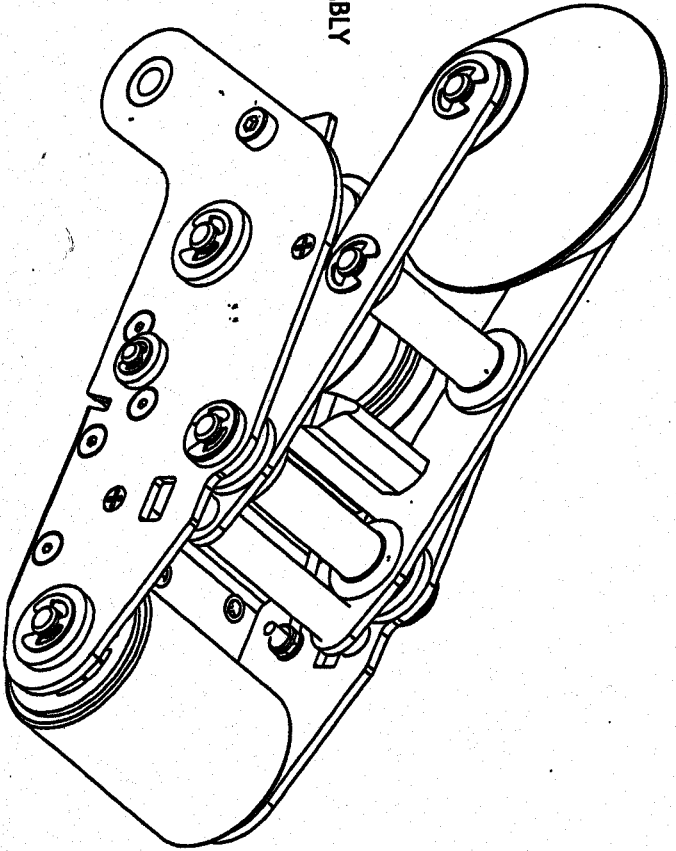
TapeTech<sup>®</sup>  
an Axial Enterprises

REV. D



CREASER ASSEMBLY

JAW ASSEMBLY



11

12

**TaperTech**  
an Axial Enterprises

Mesh Taper Assembly

REV.  
D