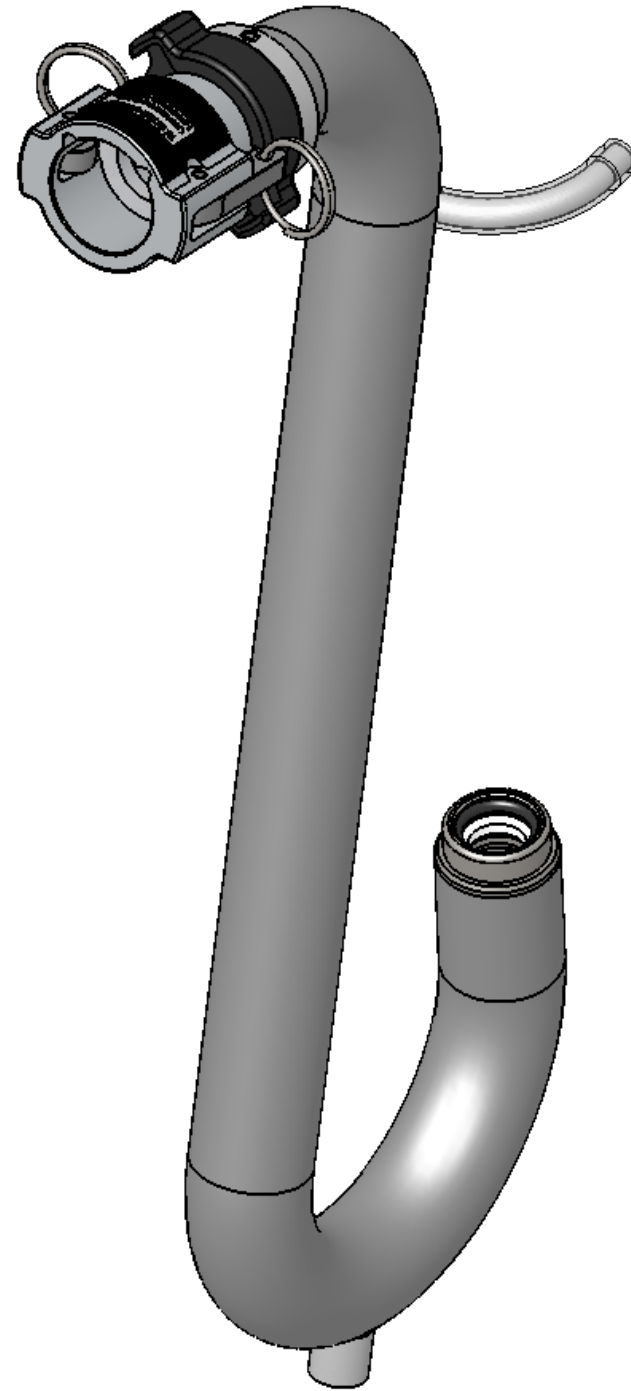

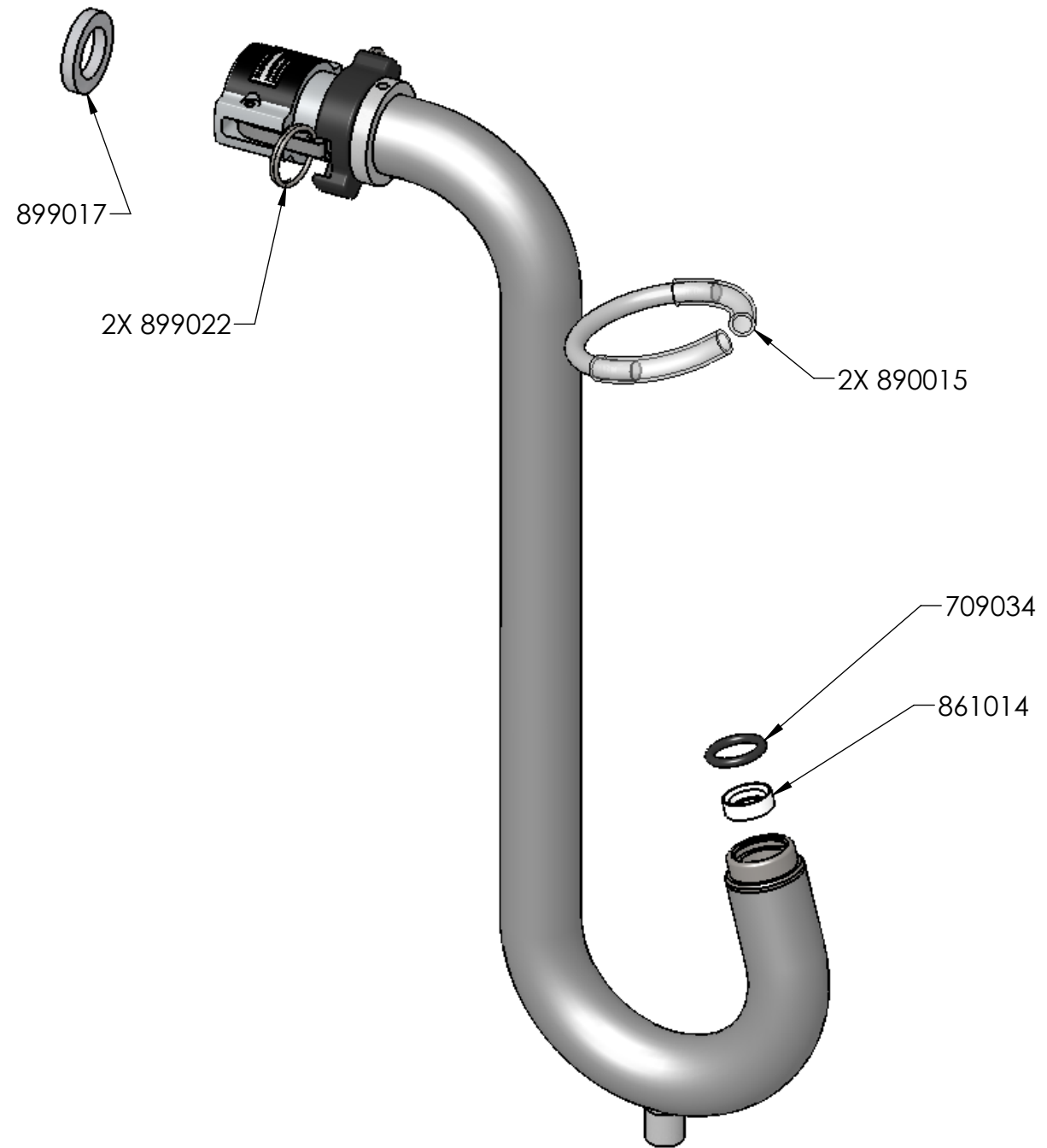


REVISIONS				
ECN	REV.	DESCRIPTION	DATE	BY
	A	RELEASED FOR PRODUCTION	08/11	MWJ



<table border="1"> <tr> <td></td> <td>BY</td> <td>DATE</td> </tr> <tr> <td>DRAWN</td> <td>MWJ</td> <td>01/10</td> </tr> <tr> <td>CHECKED</td> <td>X.X.X.</td> <td>##/##</td> </tr> </table>				BY	DATE	DRAWN	MWJ	01/10	CHECKED	X.X.X.	##/##	Bazooka Pump Gooseneck		
	BY	DATE												
DRAWN	MWJ	01/10												
CHECKED	X.X.X.	##/##												
ALL DIMENSIONS IN INCHES UNLESS OTHERWISE NOTED TOLERANCES UNLESS NOTED .XX ± 0.010" ANGULAR ±.5° .XXX ± 0.005"														
MATERIAL: N/A						SIZE B SCALE = 1:8 DWG. NO. 890000 ASSEMBLY REF. NO. N/A	REV. A SHEET 1 of 2							



B89TT	Bazooka Pump Gooseneck	
	Tapetech PROFESSIONAL DRYWALL FINISHING TOOLS	REV. A

Part Number	Description	Quantity Each
709034	O'Ring 568-210 Buna	1
861014	Gooseneck Spacer	1
890015	Tube Protector	2
899017	Coupling Gasket	1
899022	Split Ring, 1.07 o.d.	2