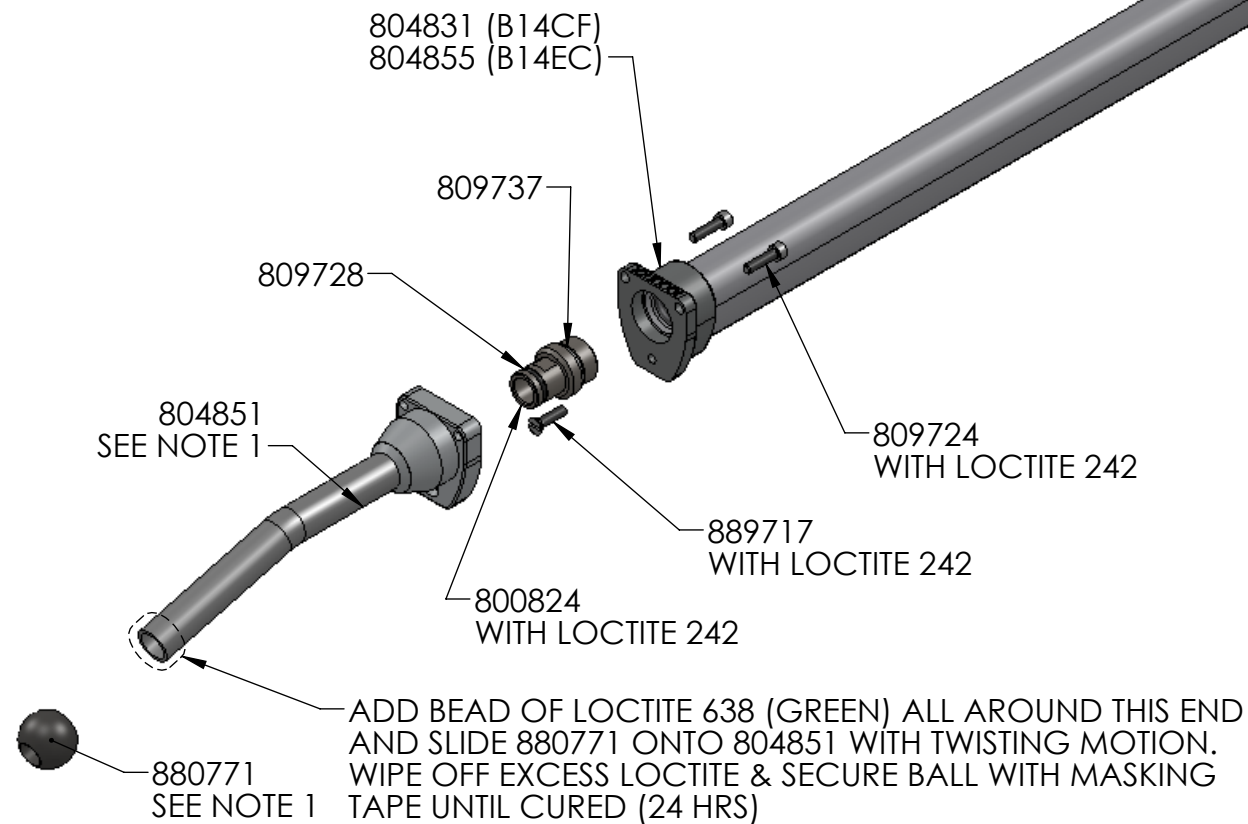
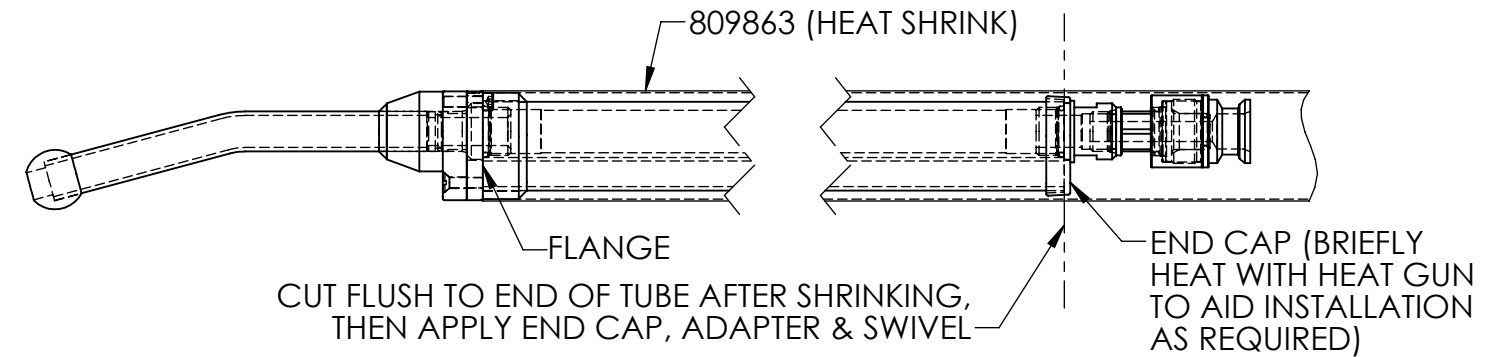


NOTES:

1. WHEN REPLACING 880771 OR 804851, ORDER 884771 (PREASSEMBLED 880771 + 804851)
2. WHEN REPLACING 800856 - 800862, ORDER 804859 (PREASSEMBLED 800856-800862)

1. SLIDE HEAT SHRINK FLUSH TO FLANGE
2. HEAT UNIFORMLY STARTING AT FLANGE END
3. ONCE END CAP IS REACHED, CUT TO LENGTH AS SHOWN.



T14XX	Corner Handle, Continuous Flow	REV. A
	TopoTech [®] an Axia Enterprise	