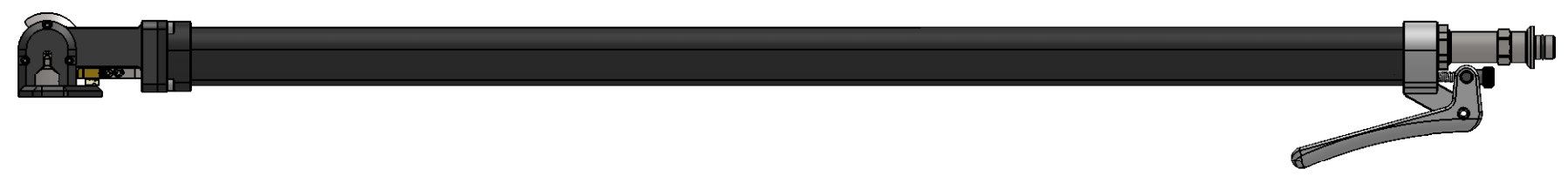
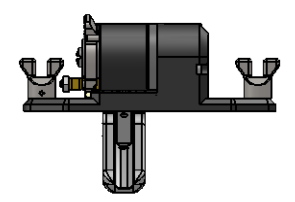




REVISIONS				
ECN	REV.	DESCRIPTION	DATE	BY
1575	B	REPL 800827 W 801827, REM NOTE 2, PAGE 2	01/13	MWJ



	BY	DATE
DRAWN	CCS	01.29.10
CHECKED	MWJ	08/11
ALL DIMENSIONS IN INCHES UNLESS OTHERWISE NOTED		
TOLERANCES UNLESS NOTED		
.XX ± 0.010"	ANGULAR ±.5°	
.XXX ± 0.005"		
MATERIAL: AS NOTED		

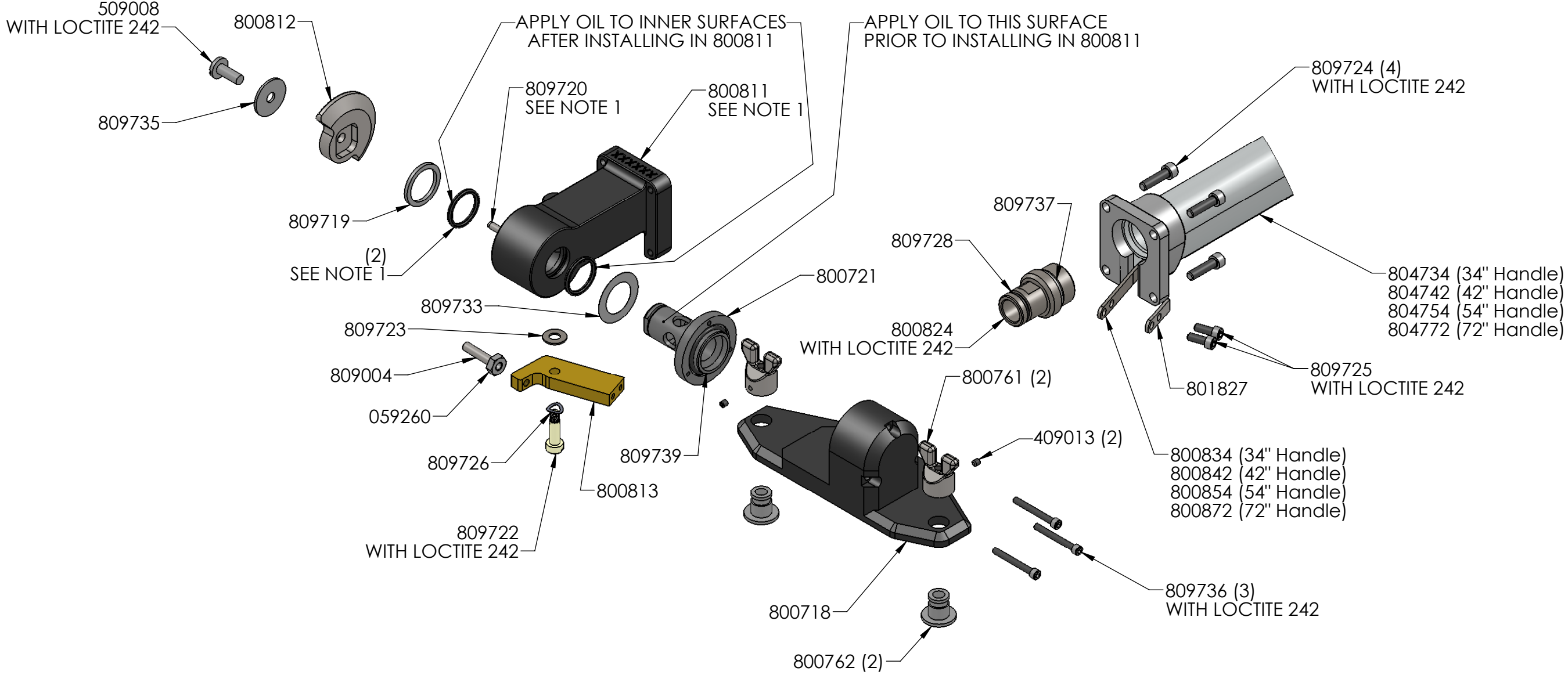
Flat Finisher Handle, Continuous Flow



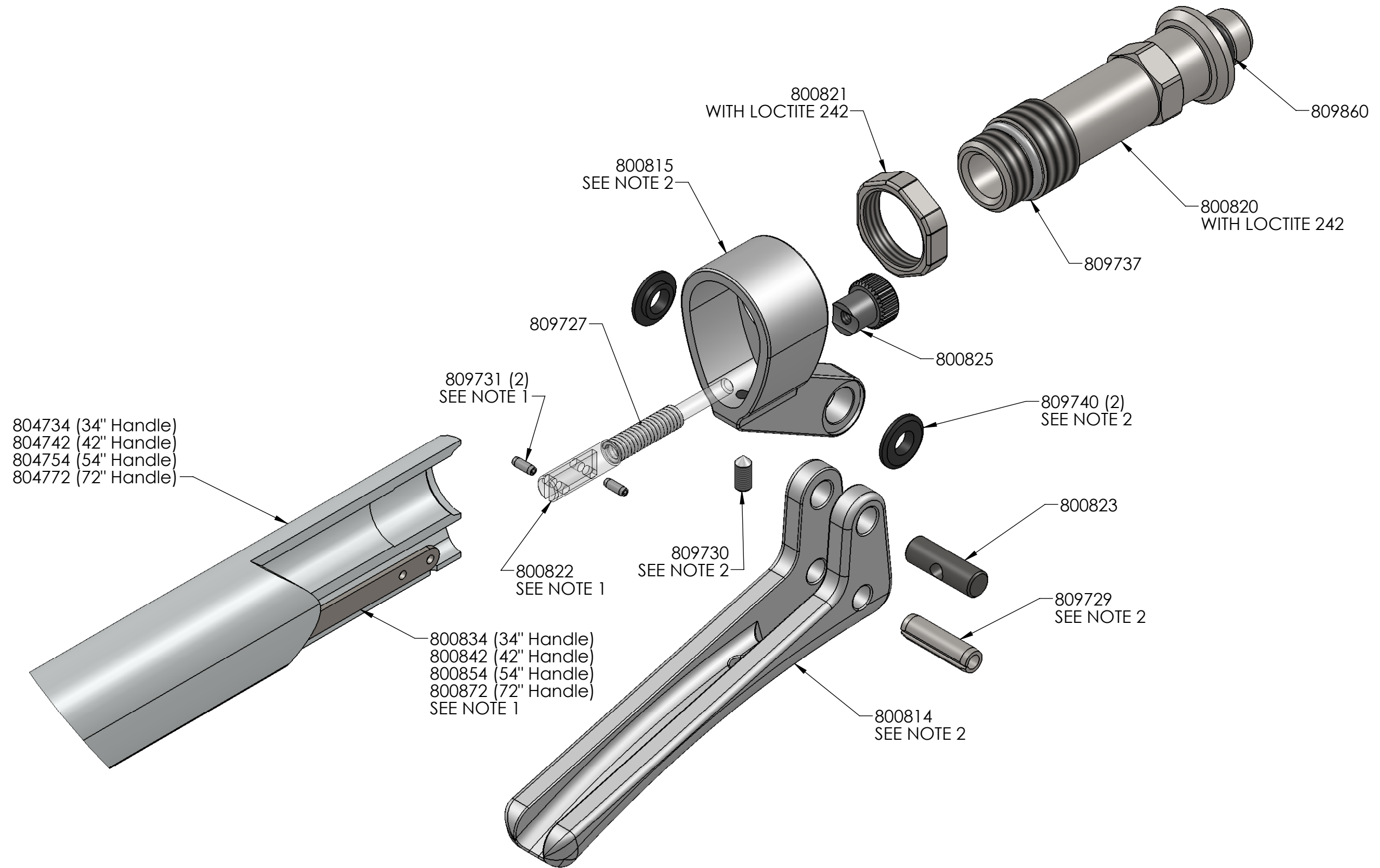
SIZE <b>B</b>	SCALE = 1:4	DWG. NO. T80XX	REV. B
ASSEMBLY REF. NO.		SHEET 1 of 3	

**NOTES:**

1. WHEN REPLACING 800811, ORDER 804811 (PREASSEMBLED 800811 + (2) 809738 + 809720)



T80XX	Flat Finisher Handle, Continuous Flow	
	 PROFESSIONAL DRYWALL FINISHING TOOLS	REV. B



**NOTES:**

1. WHEN REPLACING 8008XX OR 800822, ORDER 8048XX, SUBSTITUTING HANDLE LENGTH FOR 'XX'  
(PREASSEMBLED 8008XX + 800822 + (2) 809731)
2. WHEN REPLACING 800814 OR 800815, ORDER 804814  
(PREASSEMBLED 800814 + 800815 + 809729 + 809730 + (2) 809740)

T80XX	Flat Finisher Handle, Continuous Flow	
	 PROFESSIONAL DRYWALL FINISHING TOOLS	REV. B