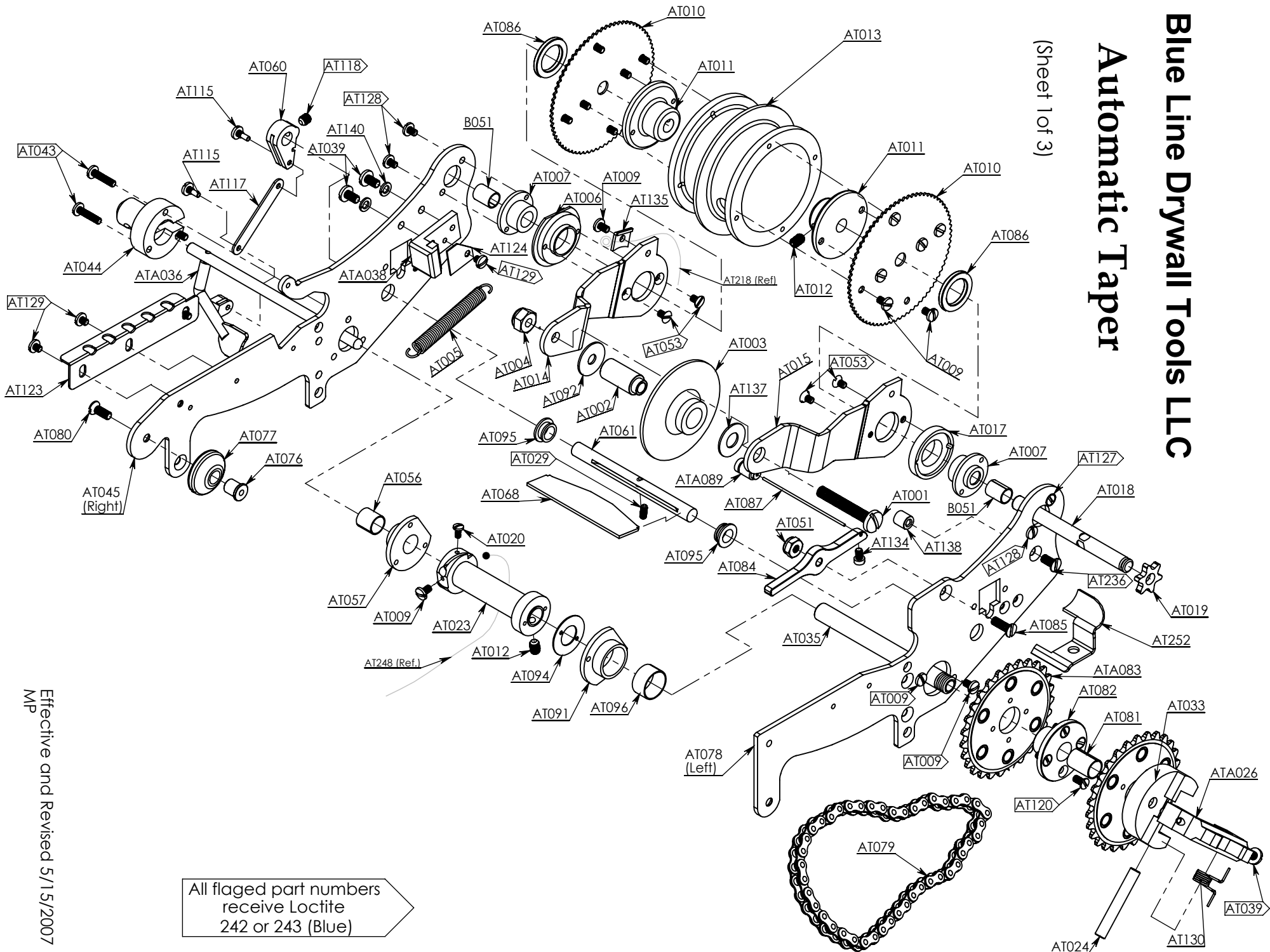


Blue Line Drywall Tools LLC

Automatic Taper

(Sheet 1 of 3)

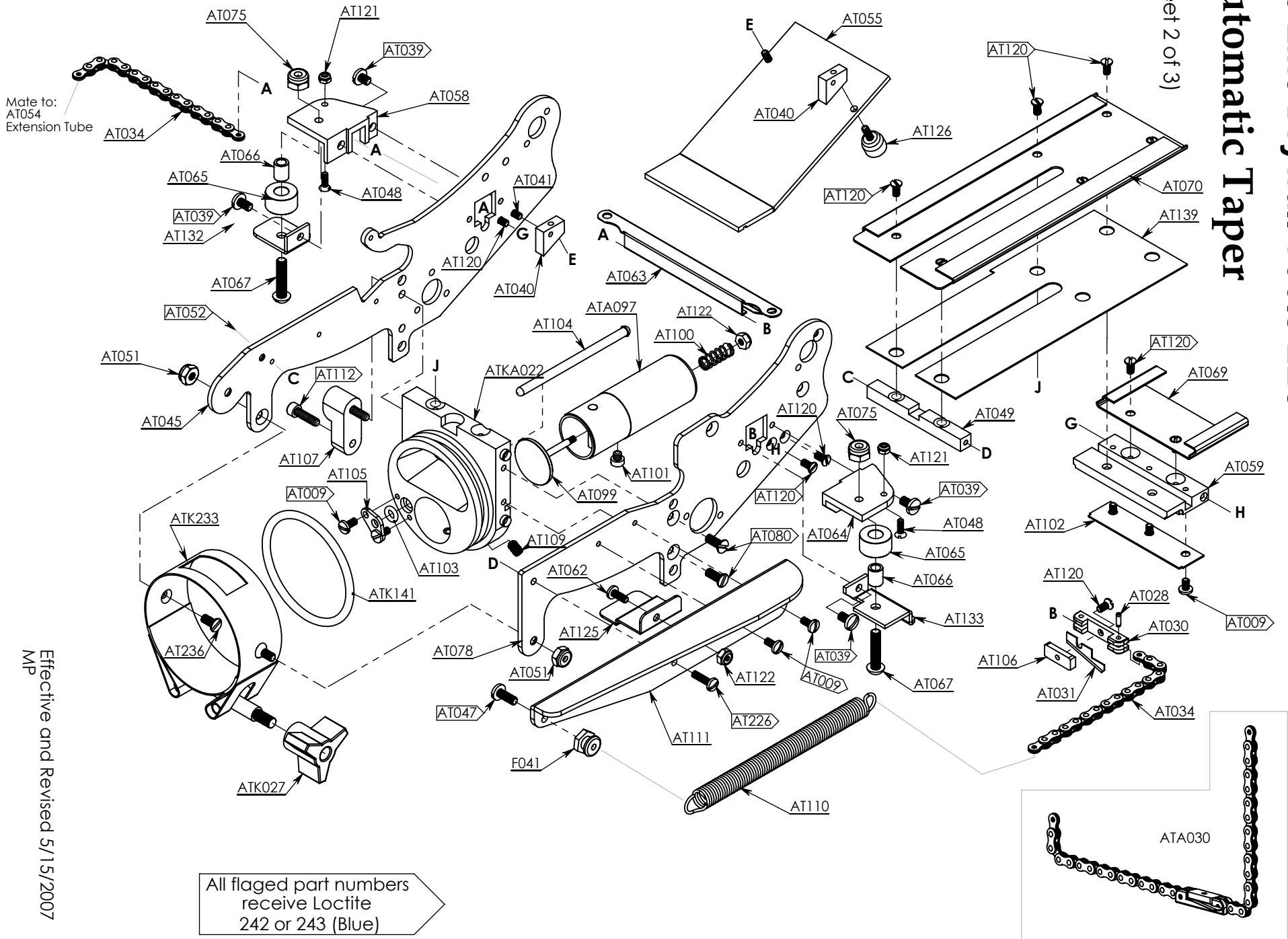


All flanged part numbers receive Loctite 242 or 243 (Blue)

Effective and Revised 5/15/2007
MP

Automatic Taper

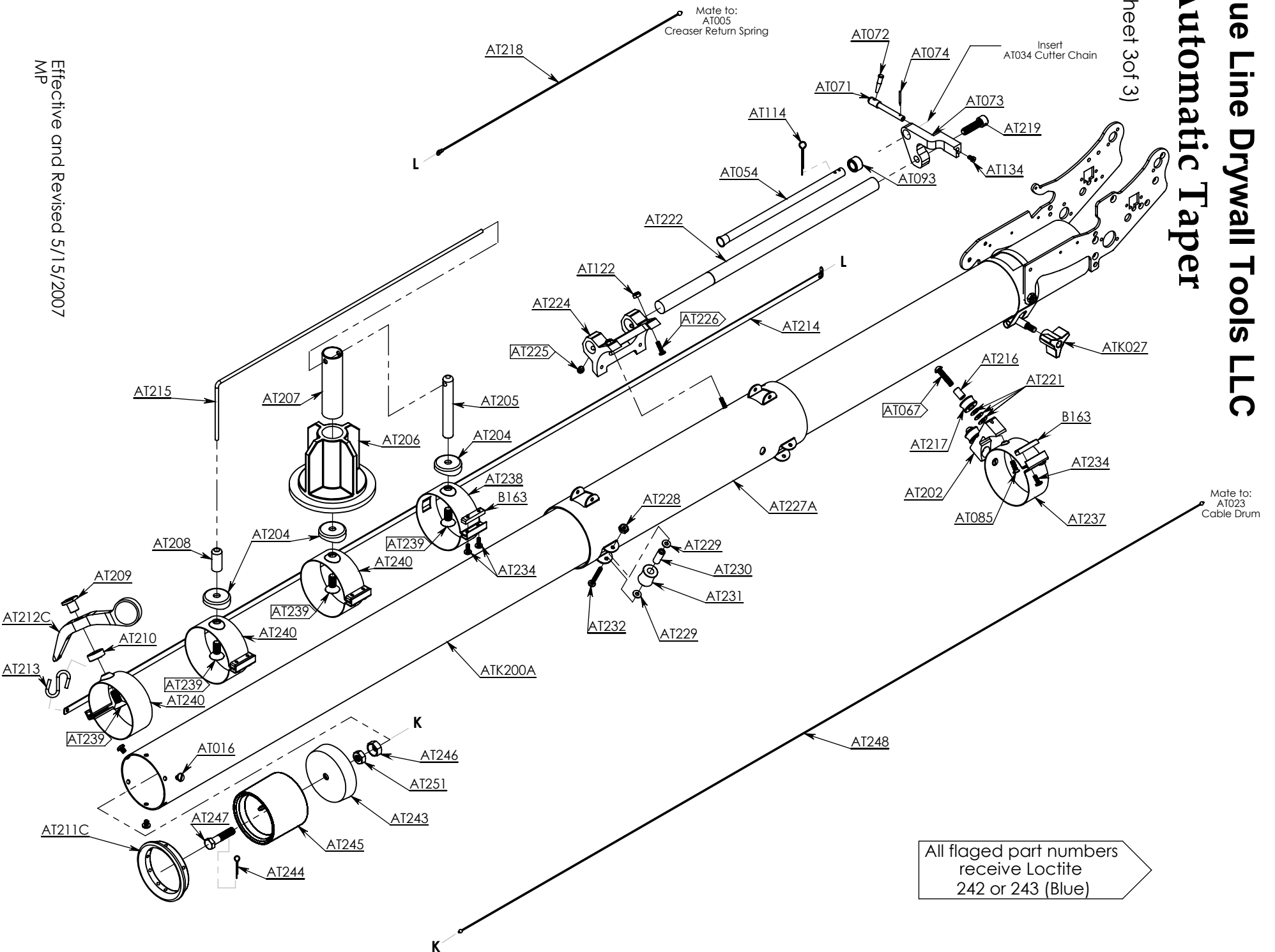
(Sheet 2 of 3)



All flaged part numbers receive Loctite 242 or 243 (Blue)

Automatic Taper

(Sheet 3 of 3)



All flanged part numbers receive Loctite 242 or 243 (Blue)