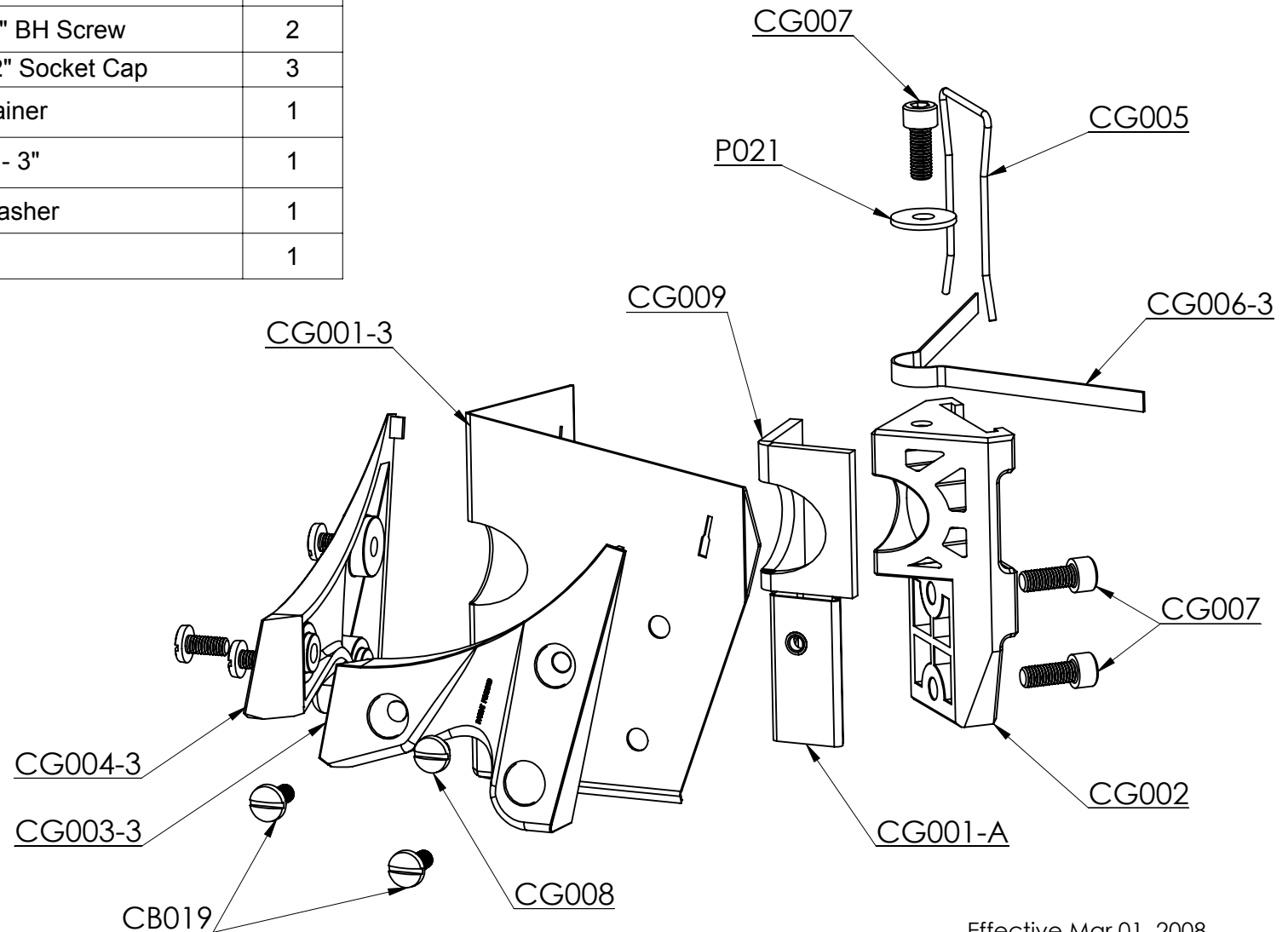


# BLUELINE

DRYWALL TOOLS LLC

## CG-3 Corner Glazer - 3"

PART NO	DESCRIPTION	QTY.
CG001-3	Glazer Head - 3"	1
CG001-A	Brace	1
CG002	Ball Socket Block	1
CG003-3	Skid Right 3"	1
CG004-3	Skid Left 3"	1
CB019	8-32 X 5/8" BH	4
CG008	8-32 x 3/16" BH Screw	2
CG007	10-32 X 1/2" Socket Cap	3
CG005	Spring Retainer	1
CG006-3	Flat Spring - 3"	1
P021	1/4" Flat Washer	1
CG009	Gasket	1



Effective Mar 01 2008